

# PMC-SG090

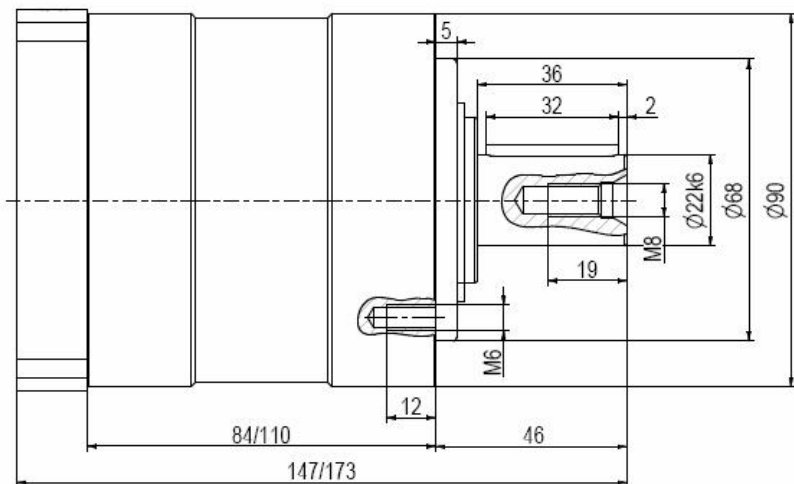
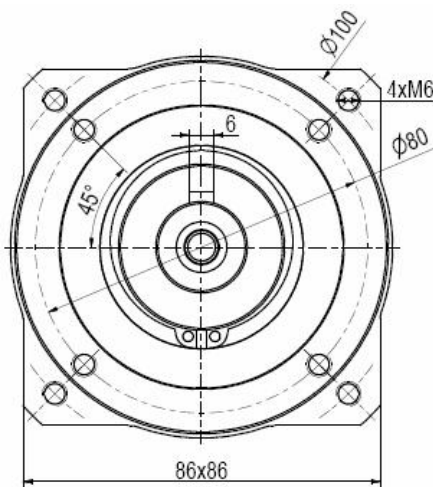
## Description

PMC-SG090 planetary gears offer the advantage of very high power transmission capabilities per unit volume of space and weight. Next advantages include low backlash facilitates, high mechanical efficiency and maintenance free operation.



## Specification

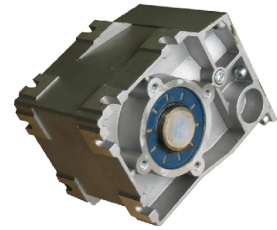
PMC-SG090	stage	1						2					
Ratio	-	3	5	7	10	15	25	30	35	50	70	100	
Rated Input Speed	RPM	3400						2600					
Maximum Input Speed	RPM	6000						4800					
Rated output Torque	Nm	40	40	40	37	40	40	40	40	40	40	37	
Max output Torque	Nm	80	80	80	74	80	80	80	80	80	80	74	
Toughness	Nm/arcmin	9	9	9	7,5	9	9	9	9	9	9	7,5	
Maximum backlash	arcmin	<12						<15					
Inertia	kgcm <sup>2</sup>	1,73						1,48					
Efficiency	%	>97						>95					
Life time	hours	20000						20000					
Noise	dB(A)	72						72					
Dimension	mm	□ 98 x 160 mm						□ 98 x 173 mm					
Weight	kg	4						4,9					
Shaft Diameter	mm	22k6						22k6					
Shaft Radial Load	N	2400						2400					
Shaft Axial Load	N	1900						1900					



# PMC-GKR03

## Description

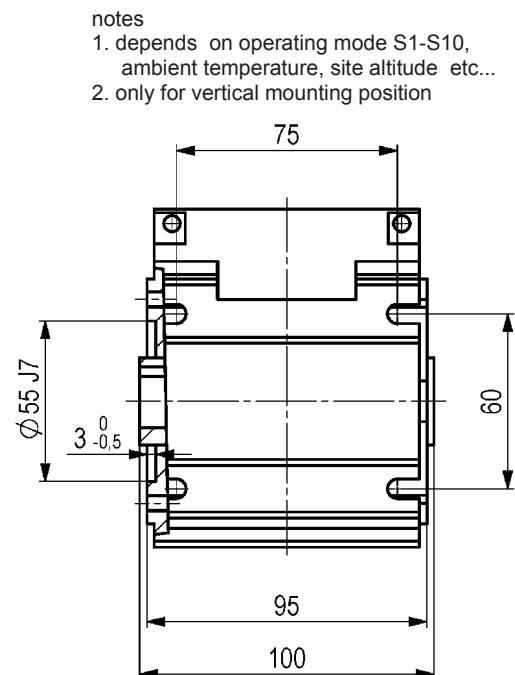
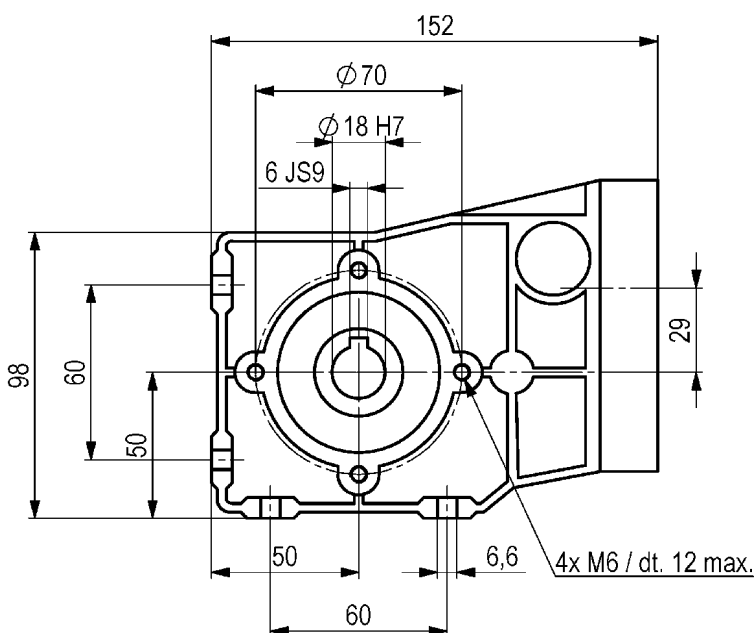
Compact and highly efficient bevel gearbox for output torque up to 45 Nm. Maintenance free operation. Gearbox housings is aluminium. Gears are case hardened and ground steel. Only for the PMC-G66xx motors.



## Specification

### PMC-GKR03

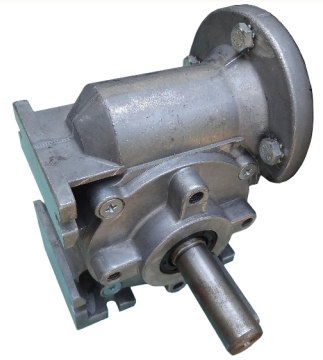
Ratio	-	5,411	6,222	7,111	8,178	9,101	10,466	11,640	13,386	15,111	17,378
Rated output Torque	Nm	32	33	35	36	37	37	37	37	37	37
Input Inertia	kgcm <sup>2</sup>	0,307	0,276	0,196	0,178	0,134	0,123	0,086	0,079	0,059	0,055
Ratio	-	19,365	<b>22,27</b>	25,051	28,808	32,593	37,481	42,222	48,556	53,889	61,972
Rated output Torque	Nm	37	<b>37</b>	42	42	42	42	45	45	45	45
Input Inertia	kgcm <sup>2</sup>	0,038	<b>0,054</b>	0,025	0,023	0,016	0,015	0,010	0,009	0,006	0,0060
Rated Input Speed	RPM	<b>2800</b>									
Maximum Input Speed	RPM	<b>4000 ( 3000 <sup>1)</sup>)</b>									
Maximum backlash	arcmin	<b>&lt; 23</b>									
Max output Torque	Nm	<b>cca 1,5 x Rated Output Torque <sup>2)</sup></b>									
Efficiency	%	<b>&gt; 95</b>									
Life time	hours	<b>20000</b>									
Dimension	mm	<b>98 x 160 mm</b>									
Weight	kg										
Hollow Shaft Diameter	mm	<b>H7</b>									
Shaft Radial Force	N	<b>3000</b>									
Shaft Axial Force	N	<b>1400</b>									



# PMC-SSN40

## Description

Worm gearbox for output torque up to 36 Nm. Gearbox housings is aluminium.  
Only for the PMC-G66xx / PMC-G62xxx motors.



## Specification

### PMC-GKR03

Ratio	-	6,75	10,00	15,00	20,00	25,00	<b>30,00</b>	40,00	50,00	60,00	80,00
Rated output Torque	<b>Nm</b>										
Max output Torque	<b>Nm</b>	35	35	33	34	29	<b>36</b>	34	32	23	24
Efficiency	%	0,84	0,81	0,74	0,71	0,64	<b>0,62</b>	0,56	0,54	0,38	0,39
Input Inertia	<b>kgcm<sup>2</sup></b>										
Rated Input Speed	<b>RPM</b>	<b>2800</b>									
Maximum Input Speed	<b>RPM</b>	<b>3600</b>									
Maximum backlash	<b>arcmin</b>	<b>-</b>									
Life time	<b>hours</b>	<b>20000</b>									
Dimension	<b>mm</b>										
Weight	<b>kg</b>	<b>1,6</b>									
Hollow Shaft Diameter	<b>mm</b>										
Shaft Radial Force	<b>N</b>	<b>600</b>									
Shaft Axial Load	<b>N</b>	<b>400</b>									

