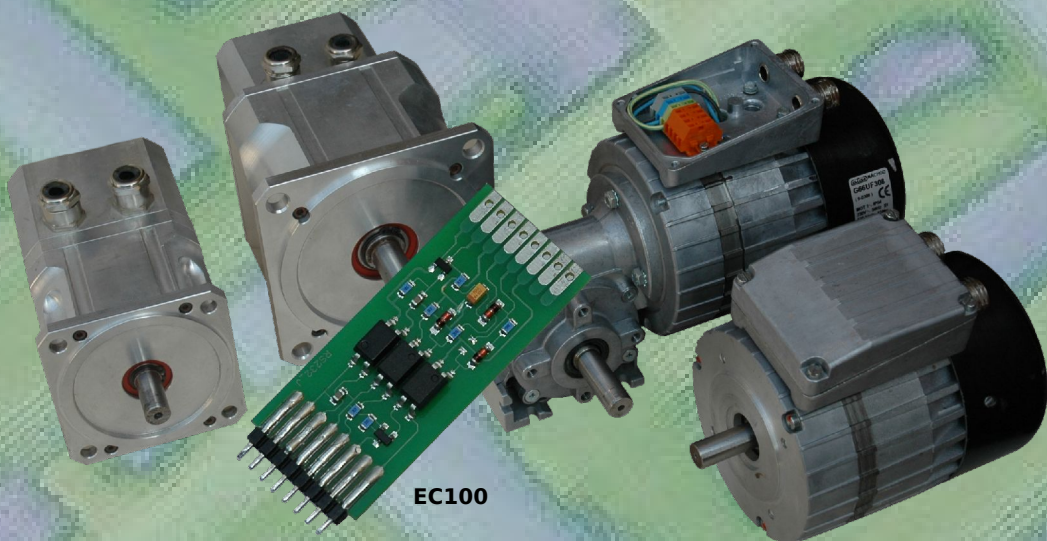


EC Motor IO Module EC100



Version 2.10, revision 2008-10-31

PMControl s.r.o.

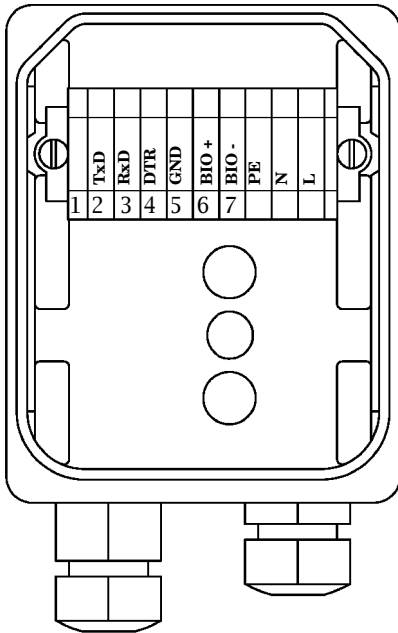
1. Description of IO module

IO module EC100 is an basic communication interface with one logical input. EC100 provides galvanic separation of input and output signals of motor and voltage levels adaptation. Interface provides controlling, settings and motor diagnostics by RS232 from PC nebo PLC.

2. Features

- 1 x RS-232 max. transfer rate 38400Bd
- 1 x logical input 10 – 24V
- Galvanically separated ground of input and communication link (GND, GNDX)

3. Clips connection



Motor terminal board

- 1 not connected - on some old motors may be absent
- 2 TxD PC: RxD (Canon9 - pin 2)
- 3 RxD PC: TxD (Canon9 - pin 3)
- 4 +5-15V PC: DTR (Canon9 - pin 4)
- 5 GND PC: GND (Canon9 - pin 5)

Logical input connection (BIO)

- 6 BIO + (max. 24V)
- 7 BIO -

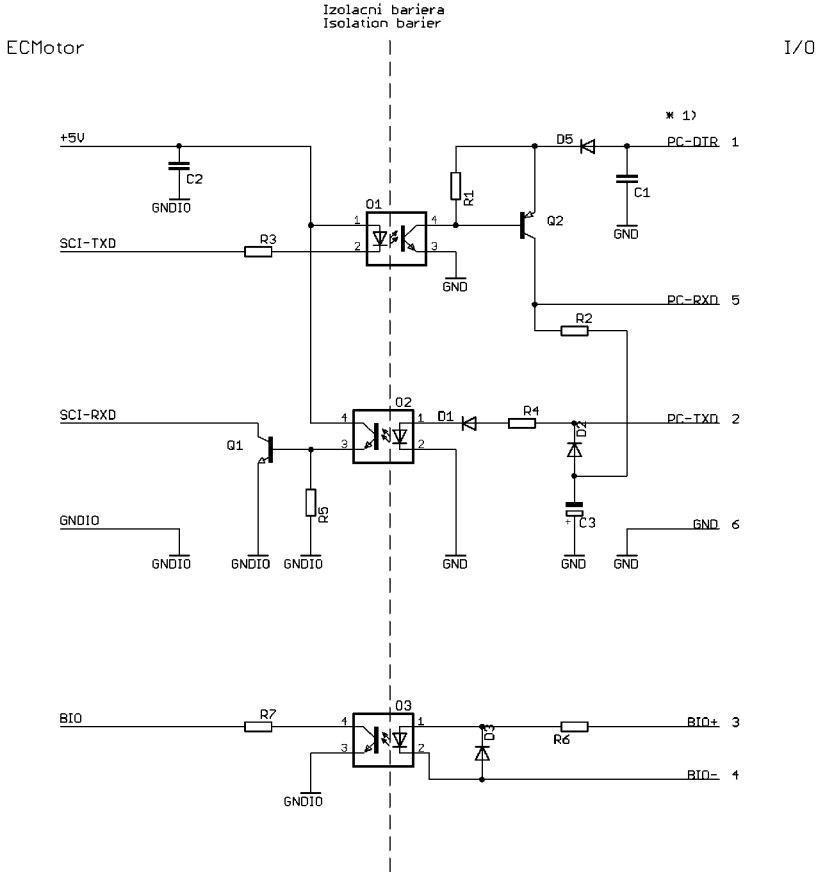
Power network connection

- PE protective earth conductor
- N 230V / 50Hz
- L 230V / 50Hz

Notes:

- RS-232 circuit is powered from serial port of computer or PLC by signals DTR and TxD. Level of signal DTR must be between 5 – 10V, signal TxD in inactivity state have voltage levels between -5 – -10V. See schema of module EC100 (interface pinout does not corresponding with clips number). For communication with up to two motors you can connect communication wires parallell without any changes.
- Clip 1 is not connected and may be absent

4. Schema of IO module EC100



1) Pro spravnou funkci je nutno dodržet napeti 5 - 10V
 For correct function the voltage must be in range 5 - 10V

SU1 - Wire connection			
PIN	FUNKCE / FUNCTION	BARVA / COLOUR	
1	DTR	ZLUTA / YELLOW	
2	TXD	HNEDE / BROWN	
3	BIO-	SEDA / GRAY	
4	BIO+	RUZOVA / PINK	
5	RxD	BIELA / WHITE	
6	GND	FIALOVA / VIOLET	
7	n.c.		
8	n.c.		

PMControl - Interface EC100

TITLE: EC100

Document Number:

REV: v1.9

Date: 1/10/2007 08:14:25

Sheet: 1/1

5. Revision history

2006-10-26	First version of EC100 manual.	ver.: 1.90
2008-03-31	Added module schema.	ver.: 2.00
2008-10-31	Actualization of motor terminal board connection. Added information about different numbering of EC100 pins and motor clips. Added chapter: Revision history.	ver.: 2.10

An aerial photograph of a rural landscape, showing a grid of roads and fields. The fields are a mix of green and brown, suggesting different crops or stages of growth. The roads are light-colored and form a regular pattern across the area.

PMControl s.r.o.
Krásnohorské 994
547 01 Náchod
Czech Republic
tel.: +420 491 424 821
fax.: +420 491 424 821
e-mail: info@pmcontrol.cz
<http://www.pmcontrol.cz>